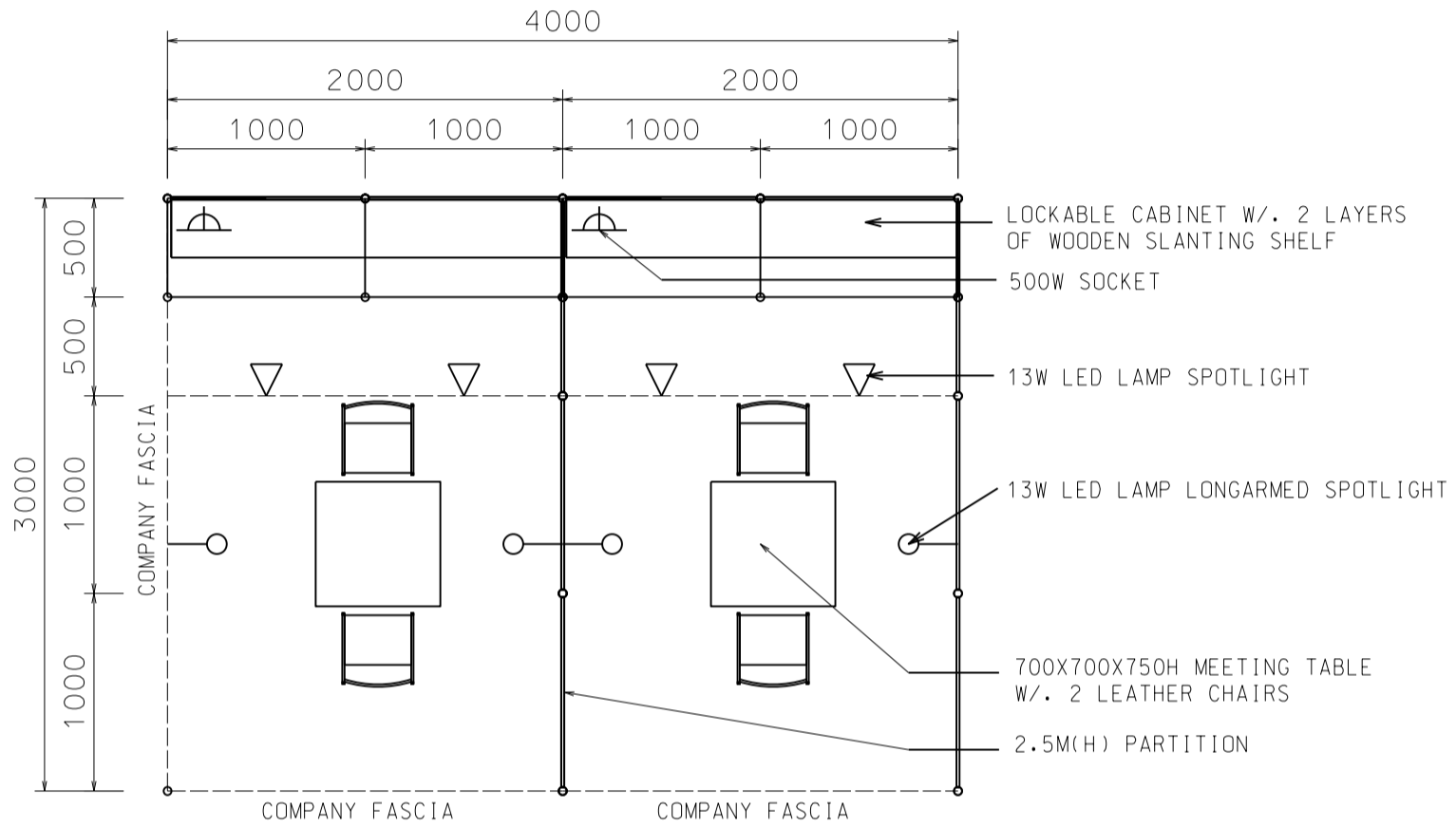


### 4M x 3M Standard Booth (Special Booth)

四米乘三米標準攤位

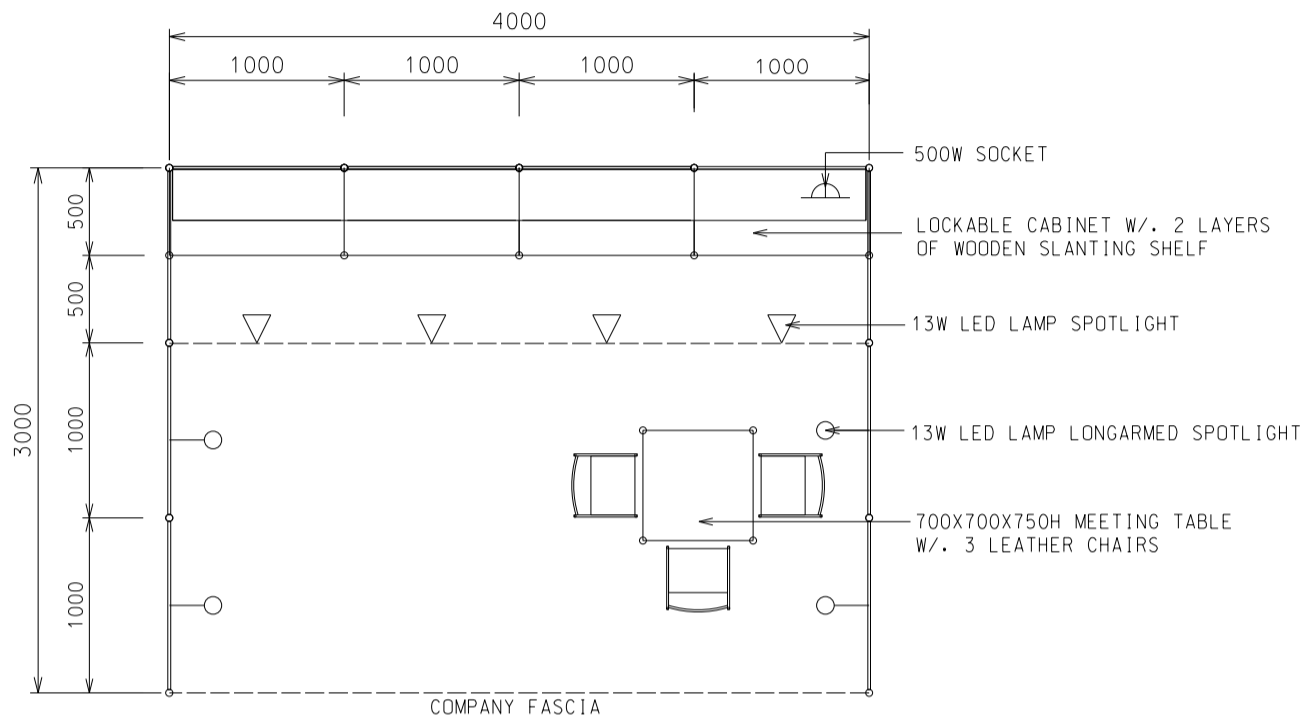
(For 2nos. of 6sqm booth exhibitor only)



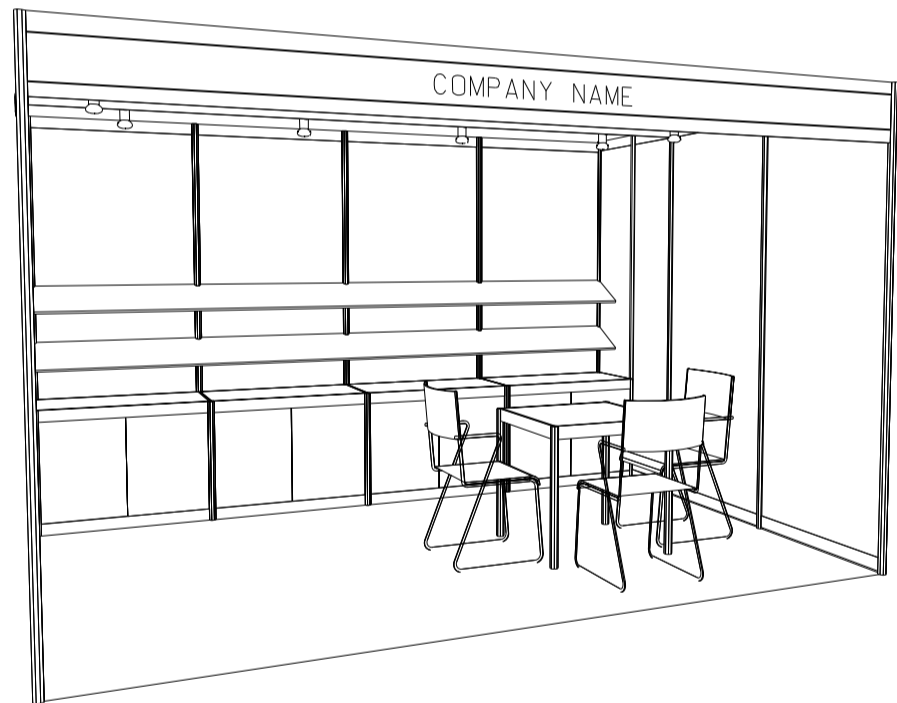
| BOOTH SPECIFICATIONS |   | QTY. |
|----------------------|---|------|
|                      | 1000W x 500D x 750H CABINET                     | 4    |
|                      | 2000W x 300D SLOPE WOODEN DISPLAY SHELF         | 4    |
|                      | 13W LED LAMP SPOTLIGHT (YELLOW LIGHT)           | 4    |
|                      | 13W LED LAMP LONGARMED SPOTLIGHT (YELLOW LIGHT) | 4    |
|                      | 700W x 700D x 750H MEETING TABLE                | 2    |
|                      | BLACK LEATHER CHAIR                             | 4    |
|                      | CEILING BEAM                                    | 4M   |
|                      | 500W SOCKET                                     | 2    |
|                      | RUBBISH BIN & CARPET (12sqm.)                   |      |

### 4M x 3M Standard Booth (A)

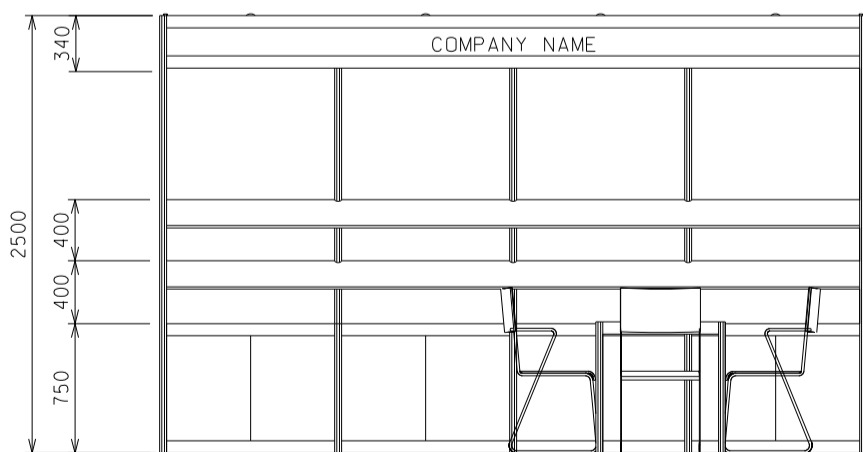
四米乘三米標準攤位 (A)



PLAN



PERSPECTIVE

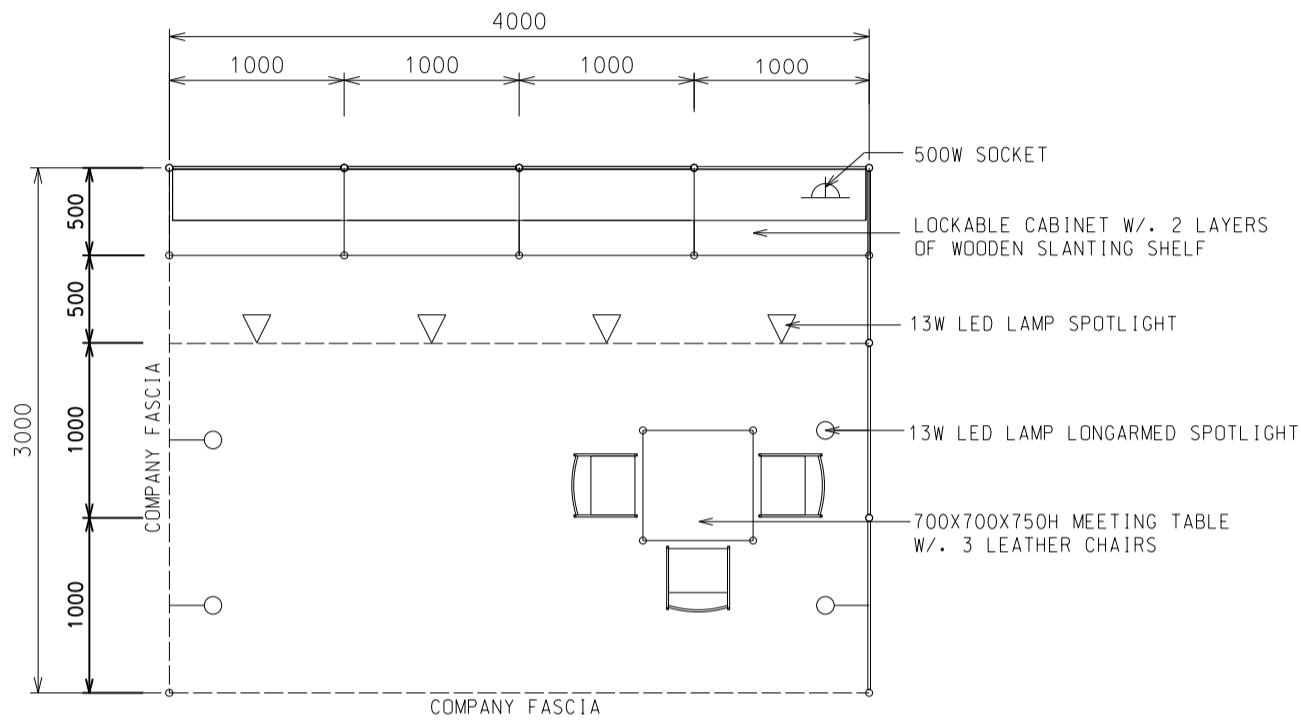


ELEVATION

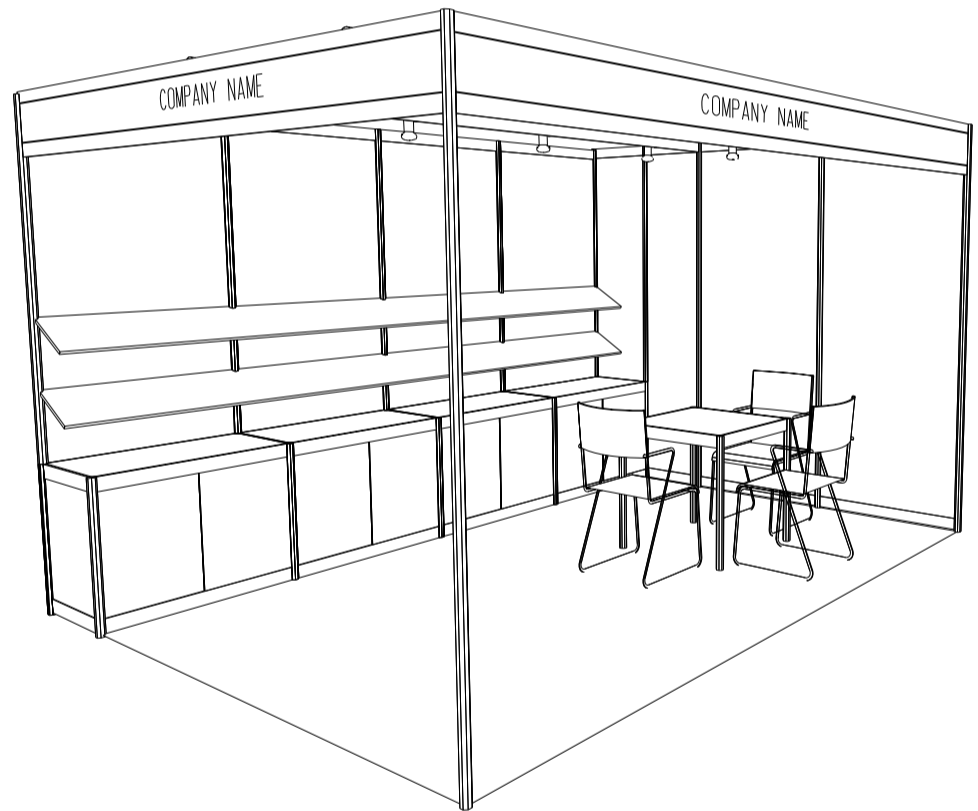
| BOOTH SPECIFICATIONS |   | QTY. |
|----------------------|---|------|
|                      | 1000W x 500D x 750H CABINET                     | 4    |
|                      | 2000W x 300D SLOPE WOODEN DISPLAY SHELF         | 4    |
|                      | 13W LED LAMP SPOTLIGHT (YELLOW LIGHT)           | 4    |
|                      | 13W LED LAMP LONGARMED SPOTLIGHT (YELLOW LIGHT) | 4    |
|                      | 700W x 700D x 750H MEETING TABLE                | 1    |
|                      | BLACK LEATHER CHAIR                             | 3    |
|                      | CEILING BEAM                                    | 4M   |
|                      | 500W SOCKET                                     | 1    |
|                      | RUBBISH BIN & CARPET (12sqm.)                   |      |

### 4M x 3M Left Corner Booth (A)

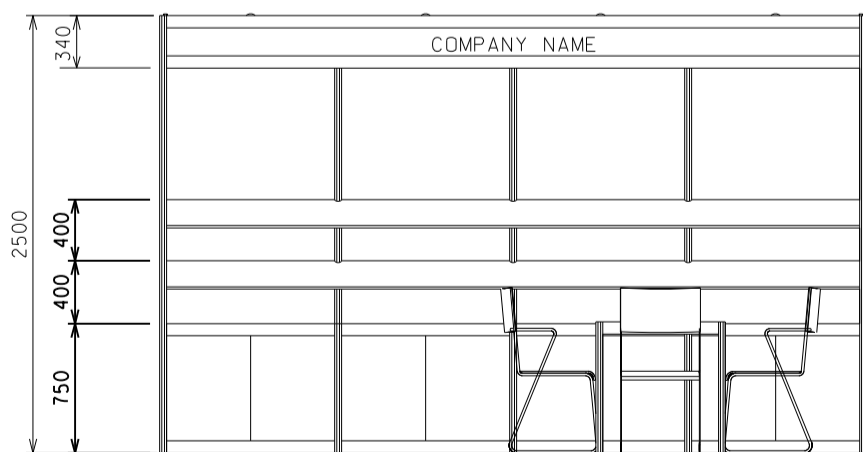
四米乘三米左邊角位攤位 (A)



PLAN



PERSPECTIVE

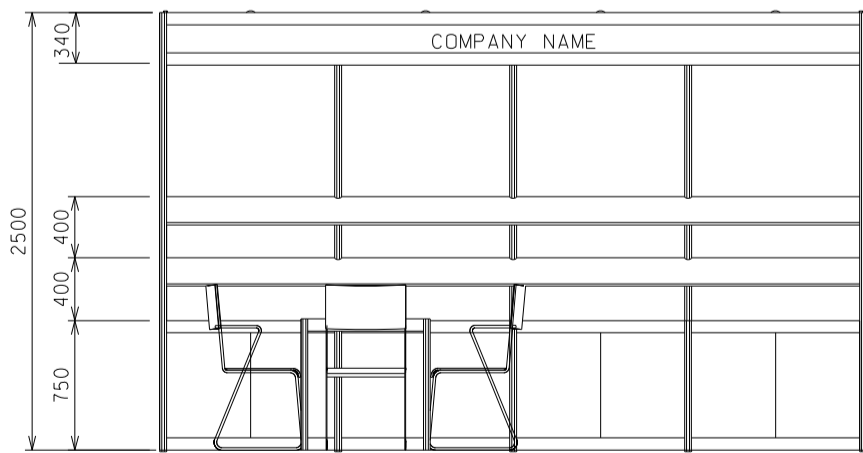
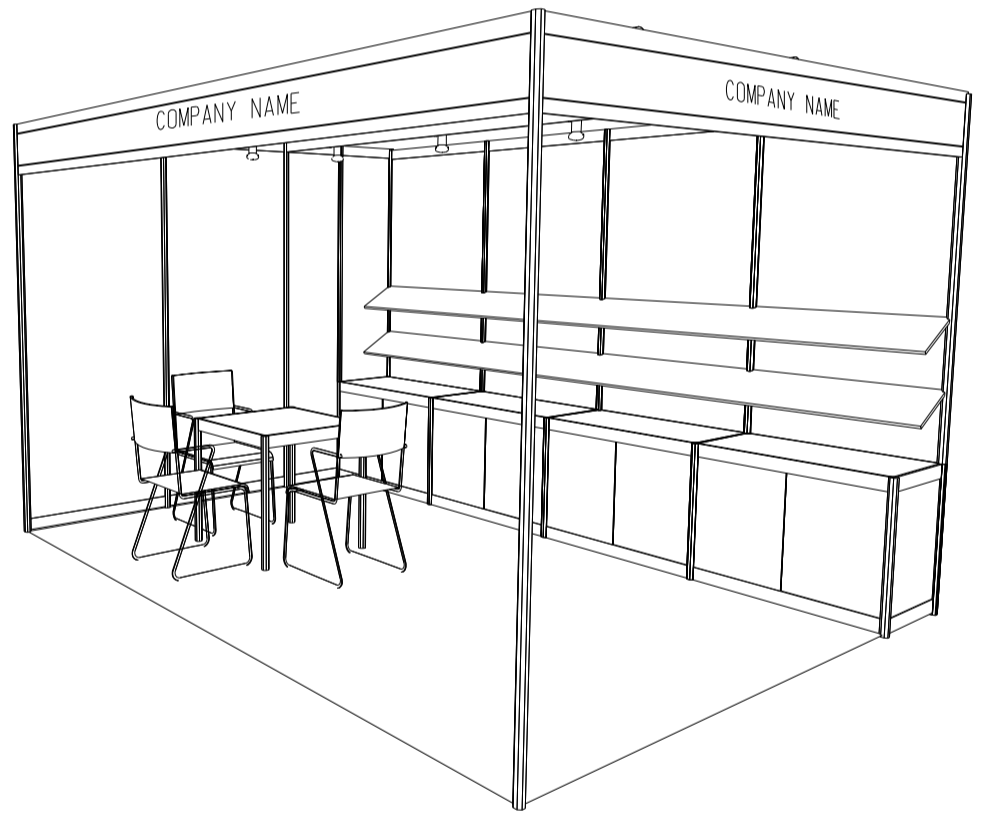
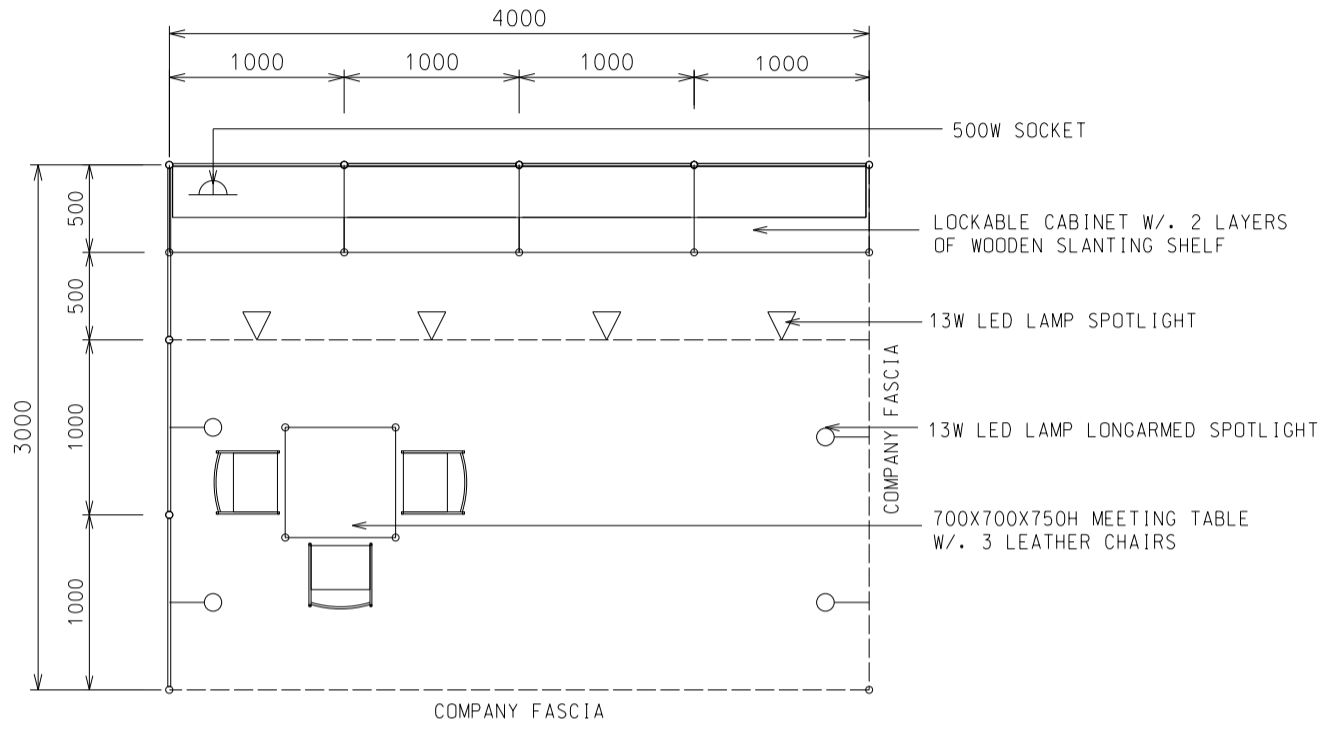


ELEVATION

| BOOTH SPECIFICATIONS |   | QTY. |
|----------------------|---|------|
|                      | 1000W x 500D x 750H CABINET                     | 4    |
|                      | 2000W x 300D SLOPE WOODEN DISPLAY SHELF         | 4    |
|                      | 13W LED LAMP SPOTLIGHT (YELLOW LIGHT)           | 4    |
|                      | 13W LED LAMP LONGARMED SPOTLIGHT (YELLOW LIGHT) | 4    |
|                      | 700W x 700D x 750H MEETING TABLE                | 1    |
|                      | BLACK LEATHER CHAIR                             | 3    |
|                      | CEILING BEAM                                    | 4M   |
|                      | 500W SOCKET                                     | 1    |
|                      | RUBBISH BIN & CARPET (12sqm.)                   |      |

### 4M x 3M Right Corner Booth (A)

四米乘三米右邊角位攤位 (A)



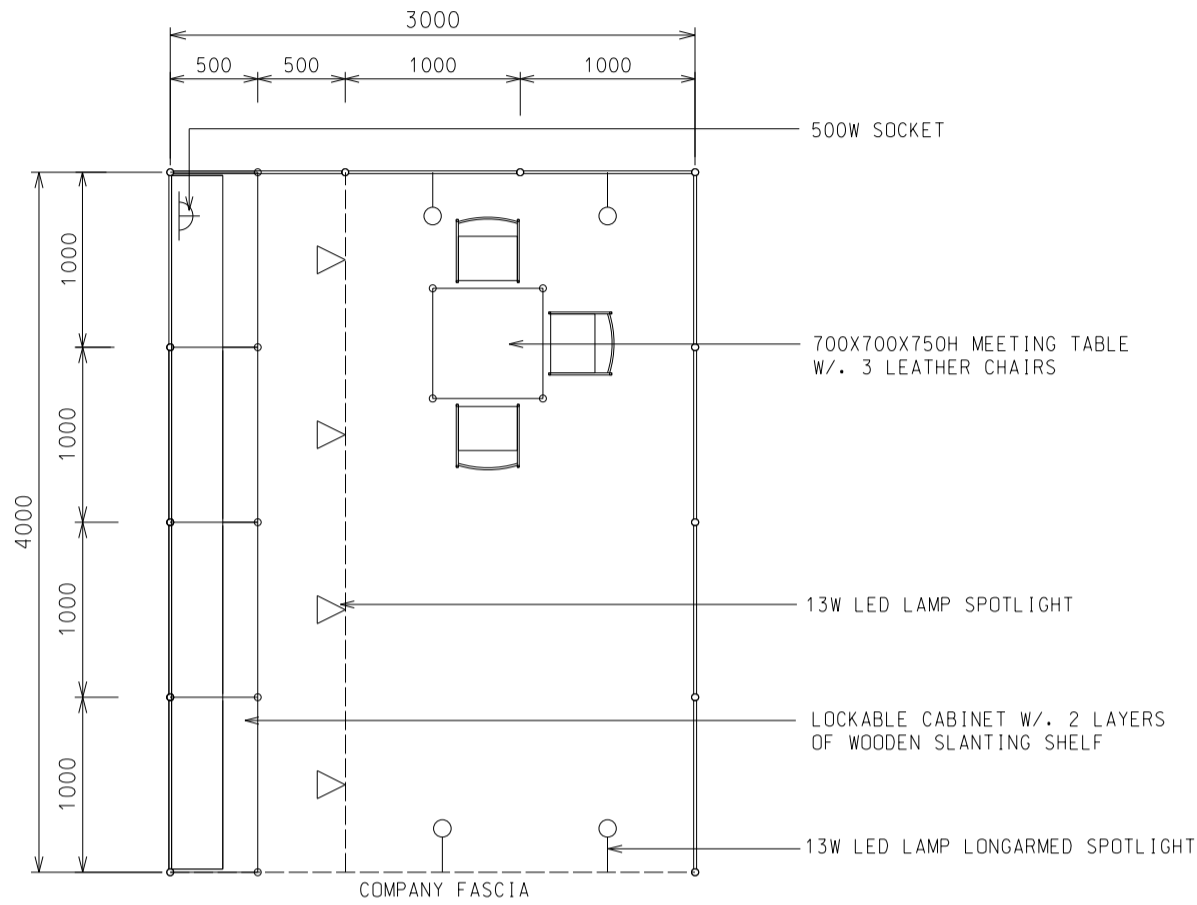
| BOOTH SPECIFICATIONS |   | QTY. |
|----------------------|---|------|
|                      | 1000W x 500D x 750H CABINET                     | 4    |
|                      | 2000W x 300D SLOPE WOODEN DISPLAY SHELF         | 4    |
|                      | 13W LED LAMP SPOTLIGHT (YELLOW LIGHT)           | 4    |
|                      | 13W LED LAMP LONGARMED SPOTLIGHT (YELLOW LIGHT) | 4    |
|                      | 700W x 700D x 750H MEETING TABLE                | 1    |
|                      | BLACK LEATHER CHAIR                             | 3    |
|                      | CEILING BEAM                                    | 4M   |
|                      | 500W SOCKET                                     | 1    |
|                      | RUBBISH BIN & CARPET (12sqm.)                   |      |

\*The Hong Kong Trade Development Council reserves the right to change the configuration if necessary.

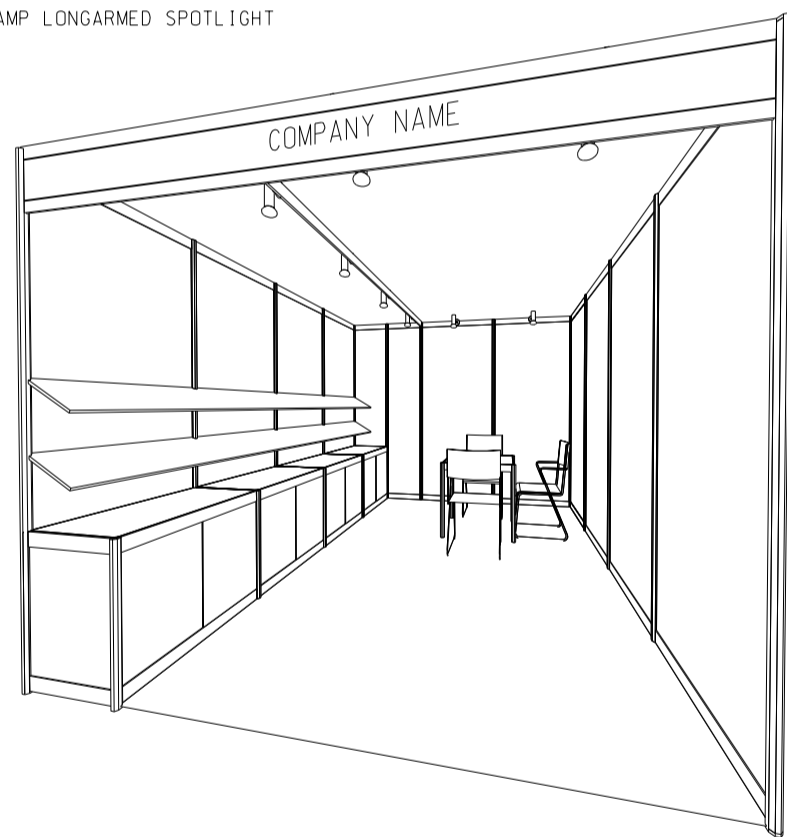
\*如有需要，香港貿易發展局有權更改攤位結構。

### 3M x 4M Standard Booth (A)

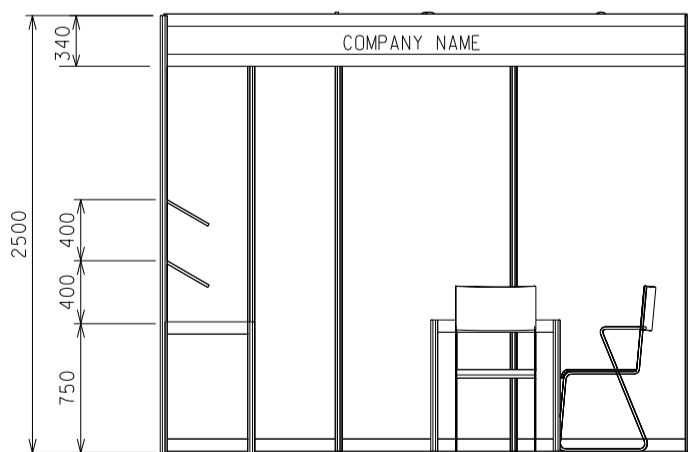
三米乘四米標準攤位 (A)



PLAN



PERSPECTIVE



ELEVATION

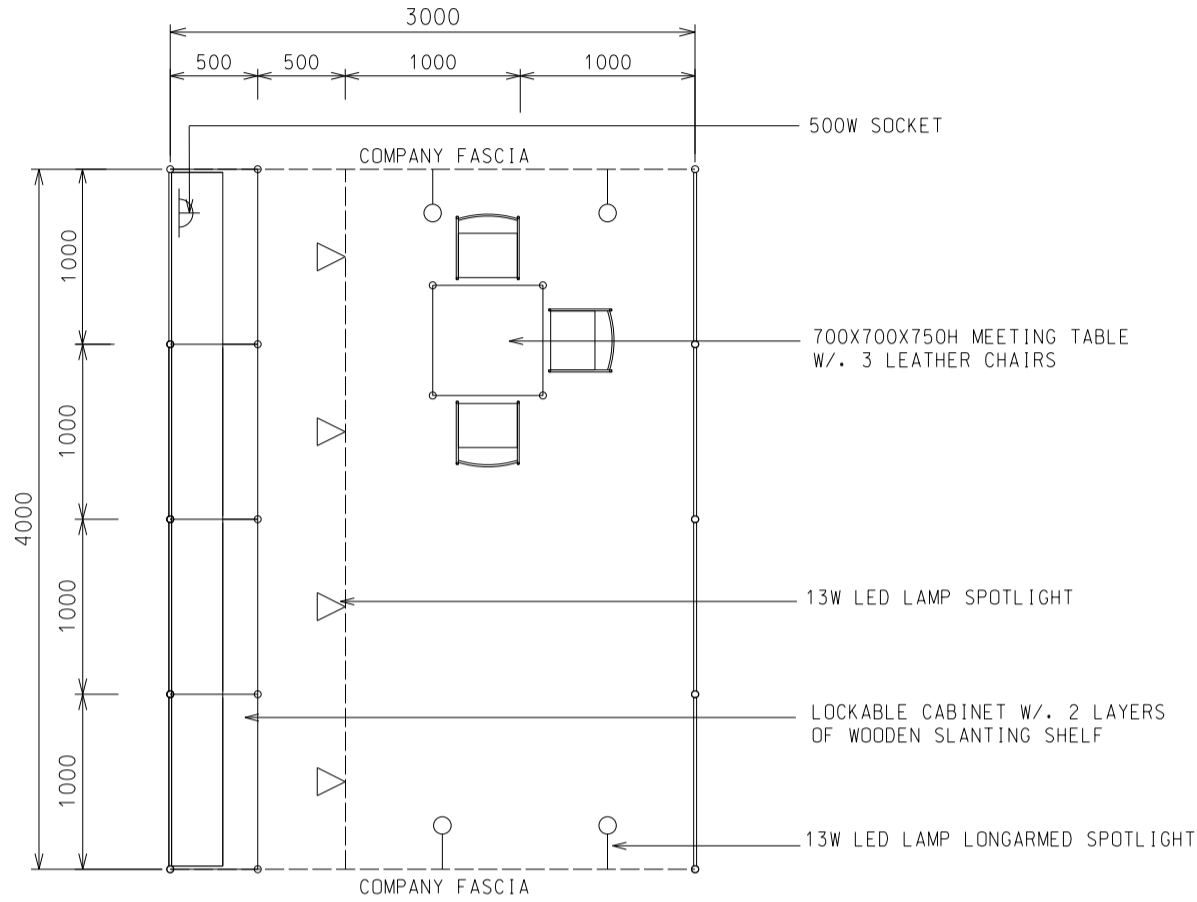
| BOOTH SPECIFICATIONS |   | QTY. |
|----------------------|---|------|
|                      | 1000W x 500D x 750H CABINET                     | 4    |
|                      | 2000W x 300D SLOPE WOODEN DISPLAY SHELF         | 4    |
|                      | 13W LED LAMP SPOTLIGHT (YELLOW LIGHT)           | 4    |
|                      | 13W LED LAMP LONGARMED SPOTLIGHT (YELLOW LIGHT) | 4    |
|                      | 700W x 700D x 750H MEETING TABLE                | 1    |
|                      | BLACK LEATHER CHAIR                             | 3    |
|                      | CEILING BEAM                                    | 4M   |
|                      | 500W SOCKET                                     | 1    |
|                      | RUBBISH BIN & CARPET (12sqm.)                   |      |

\*The Hong Kong Trade Development Council reserves the right to change the configuration if necessary.

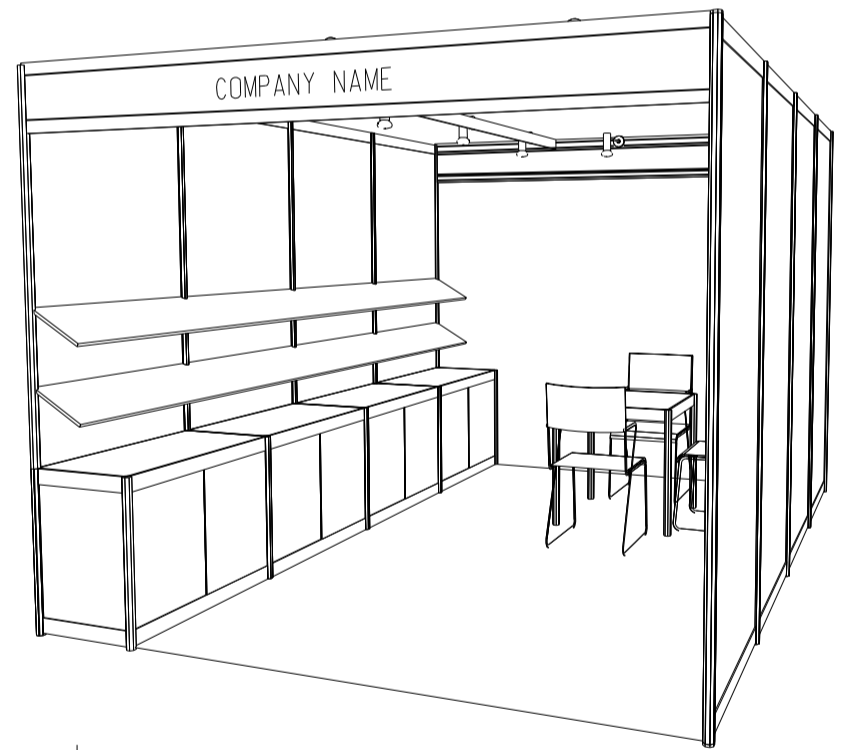
\*如有需要，香港貿易發展局有權更改攤位結構。

### 3M x 4M 2-Sides Open Booth (A)

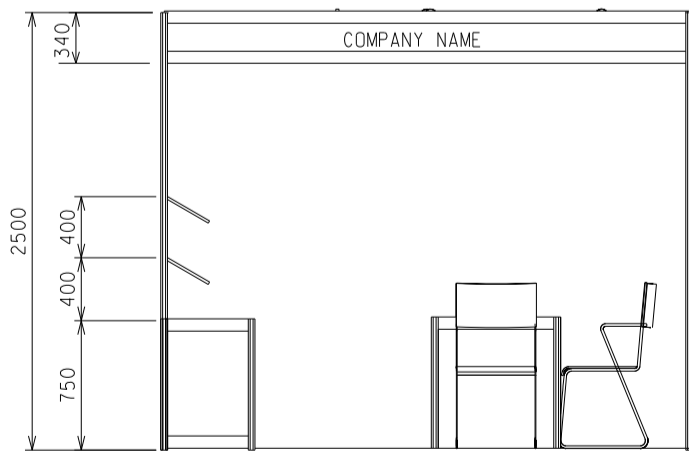
四米乘三米兩邊通道攤位 (A)



PLAN



PERSPECTIVE



ELEVATION

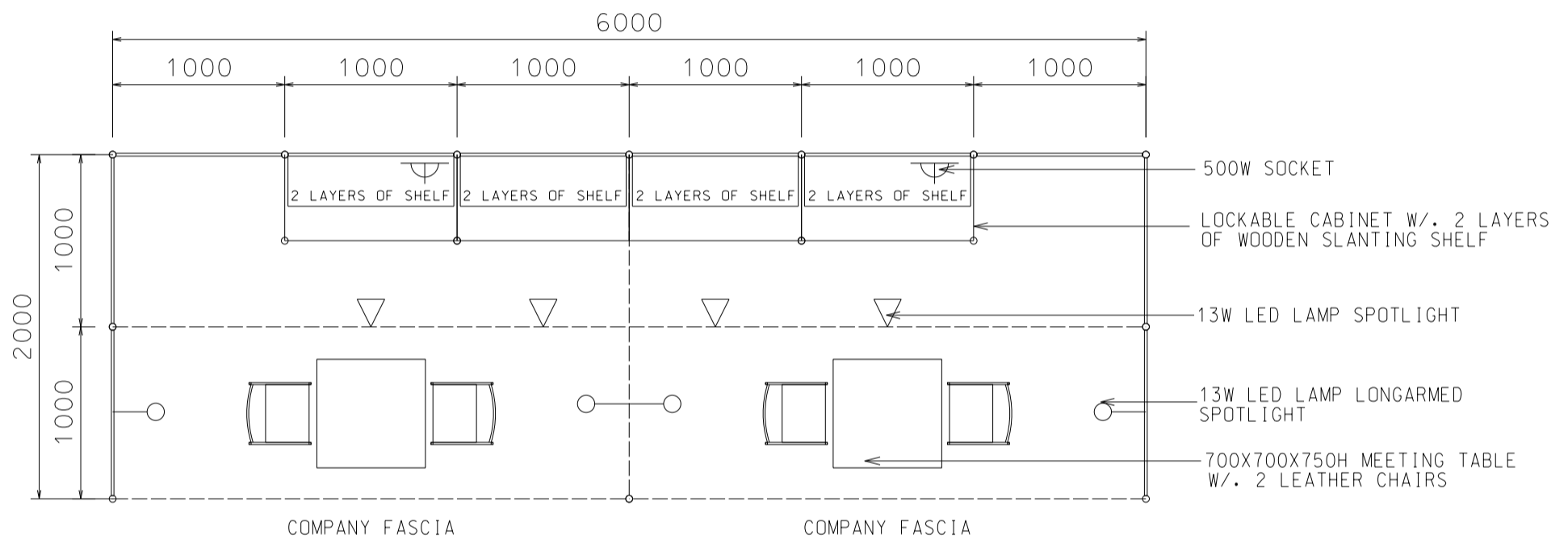
| BOOTH SPECIFICATIONS |   | QTY. |
|----------------------|---|------|
|                      | 1000W x 500D x 750H CABINET                     | 4    |
|                      | 2000W x 300D SLOPE WOODEN DISPLAY SHELF         | 4    |
|                      | 13W LED LAMP SPOTLIGHT (YELLOW LIGHT)           | 4    |
|                      | 13W LED LAMP LONGARMED SPOTLIGHT (YELLOW LIGHT) | 4    |
|                      | 700W x 700D x 750H MEETING TABLE                | 1    |
|                      | BLACK LEATHER CHAIR                             | 3    |
|                      | CEILING BEAM                                    | 4M   |
|                      | 500W SOCKET                                     | 1    |
|                      | RUBBISH BIN & CARPET (12sqm.)                   |      |

\*The Hong Kong Trade Development Council reserves the right to change the configuration if necessary.

\*如有需要，香港貿易發展局有權更改攤位結構。

### 6Mx 2M Standard Booth (A)

### 六米乘二米標準攤位 (A)



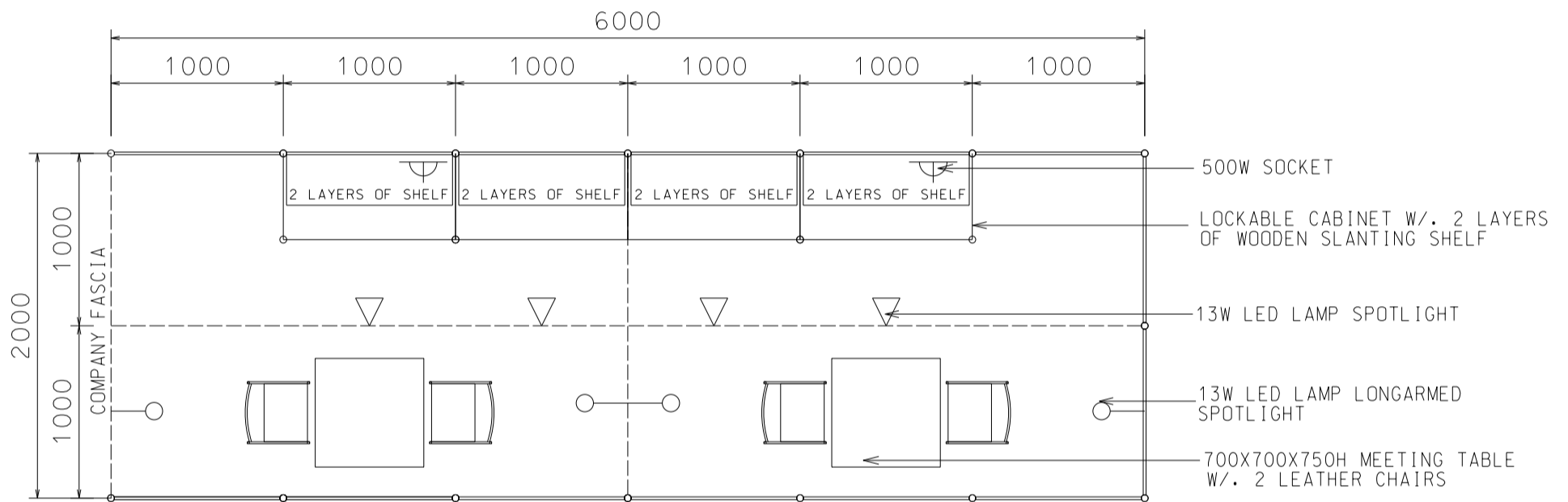
| BOOTH SPECIFICATIONS |   | QTY. |
|----------------------|---|------|
|                      | 1000W x 500D x 750H CABINET                     | 4    |
|                      | 2000W x 300D SLOPE WOODEN DISPLAY SHELF         | 4    |
|                      | 13W LED LAMP SPOTLIGHT (YELLOW LIGHT)           | 4    |
|                      | 13W LED LAMP LONGARMED SPOTLIGHT (YELLOW LIGHT) | 4    |
|                      | 700W x 700D x 750H MEETING TABLE                | 2    |
|                      | BLACK LEATHER CHAIR                             | 4    |
|                      | CEILING BEAM                                    | 8M   |
|                      | 500W SOCKET                                     | 2    |
|                      | RUBBISH BIN & CARPET (12sqm.)                   |      |

\*The Hong Kong Trade Development Council reserves the right to change the configuration if necessary.

\*如有需要，香港貿易發展局有權更改攤位結構。

### 6Mx 2M Standard Booth (A)

### 六米乘二米標準攤位 (A)



| BOOTH SPECIFICATIONS |   | QTY. |
|----------------------|---|------|
|                      | 1000W x 500D x 750H CABINET                     | 4    |
|                      | 2000W x 300D SLOPE WOODEN DISPLAY SHELF         | 4    |
|                      | 13W LED LAMP SPOTLIGHT (YELLOW LIGHT)           | 4    |
|                      | 13W LED LAMP LONGARMED SPOTLIGHT (YELLOW LIGHT) | 4    |
|                      | 700W x 700D x 750H MEETING TABLE                | 2    |
|                      | BLACK LEATHER CHAIR                             | 4    |
|                      | CEILING BEAM                                    | 8M   |
|                      | 500W SOCKET                                     | 2    |
|                      | RUBBISH BIN & CARPET (12sqm.)                   |      |